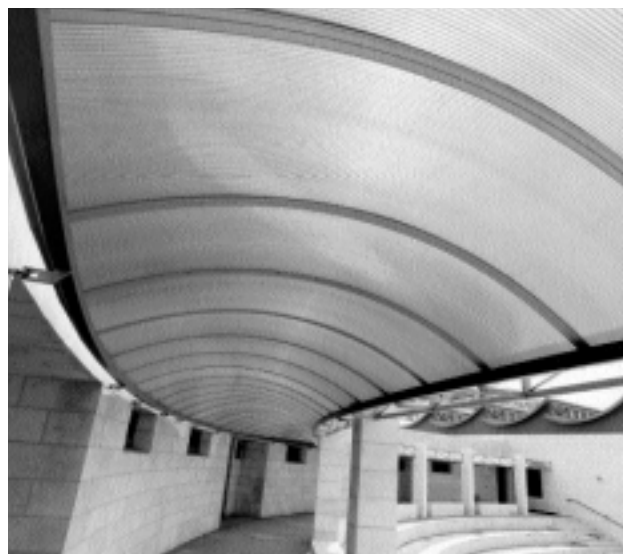


General information



Screw Attachment

The base profile is designed so that the load is transferred by special geometric extensions which facilitate easy installation and prevent screwhead strain during attachment. Therefore, make sure to use only Polygal recommended screws in distances not more than 10".

Profile Bending

The aluminium profiles can be bent using a bending machine or manually, using a steel bending guide. Make sure to use only profiles with appropriate radius and shape which do not contain loads contrary to their line of installation.

Gaskets

The use of original Polygal gaskets nos. 504, 511 is required. These gaskets are manufactured from materials which do not damage the Polycarbonate panels. The gaskets contain 4 "legs" to prevent dust and water penetration, and are installed with the "legs" facing outward. The gaskets should be installed in the workshop using a suitable roller or rubber hammer.

Professional Guidance, Information and Construction Responsibility

- The system includes both construction and edge finishing aluminium profiles, as well as various screws and EPDM gaskets, which are designed for panel glazing at the level of safety and structural standards required for roofing applications.
- Polygal assumes that roofing contractors are expert and skilled in their field in general, and with regard to construction and roofing in particular. Therefore, the full responsibility for the installation of panels, the proper attachment between the panels themselves and between the panels and parts of the structure, as well as the full support of the panels against natural forces and standard building loads remains with the roofing contractor.
- Polygal is pleased to offer its customers professional guidance regarding installation as well as additional information, whenever possible.

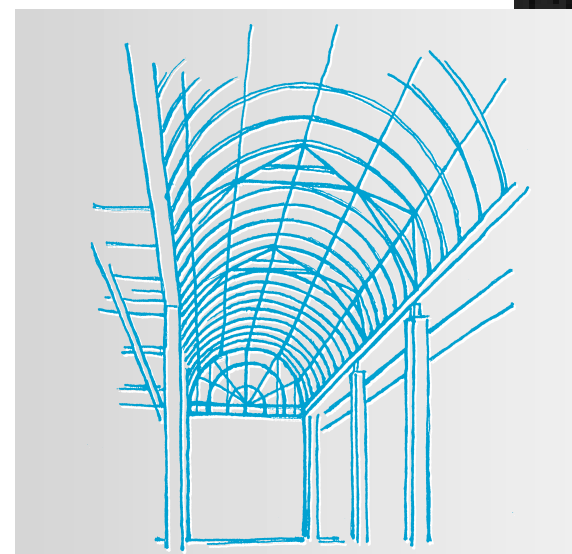
Note: The information in this brochure is intended for technical service and information purposes only.

Polygal has undertaken to ensure that the information presented is accurate and reliable.

Polygal and its representatives shall not be responsible for damage resulting from the use or installation of its products by roofing contractors or other persons.



AP-US-05.2002 • Design: Ari Ron



POLYCARBONATE MULTIWALL ROOFING

Polygal Plastics Industries Ltd.

Ramat Hashofet
19238, Israel
Tel: 972-4-959 6222
Fax: 972-4-959 6284
E-mail: sales@polygal.co.il
Web: www.polygal.com

Polygal U.S.A Inc.

1227 Barberrry Drive
Janesville WI 53545
Tel: 1-608-757 1313; 1-800 537 0095
Fax: 1-608-757 1525
E-mail: sales@polygalusa.com
Web: www.polygalusa.com

Polygal U.K.

2 North Crawley Rd.
Newport Pagnell
Milton Keynes, MK16 9HG, U.K
Tel: 44-1908-217054
Fax: 22-1908-210942
E-mail: sales@polygaluk.com



POLYGAL[®]
POLYCARBONATE MULTIWALL ROOFING

POLYGAL ALUMINIUM SYSTEMS



6-35 System



Polygal 6-35 Glazing System is a large-span clamping system specially developed for glazing applications using 1/4"-1 3/8" thick Polycarbonate structured sheets. Sheets are mounted on the system's load-bearing elements during construction of transparent and semi-transparent roofing.

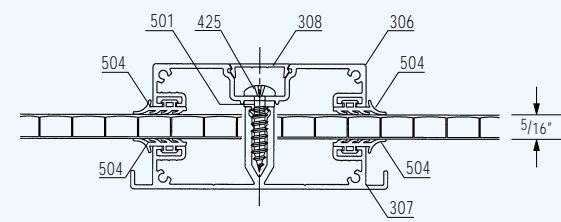
The system's large rebate depth (30 mm overlap) makes sheet fastening easier, and helps prevent glazing failures due to wind and snow loads or thermal expansion.

For high humidity conditions, the Base Profile (No. 307) is designed with drainage channels to collect condensation droplets from the interior surface of the Polycarbonate sheets. Profile No. 310 provides support against the purlin, perpendicular to the direction of the sheet ribs, and channels the condensation droplets towards the rafters and the lower channels of Profile No. 307. To ensure the proper flow of the droplets from Profile 310 to Profile 307, two 90° cuts should be made.

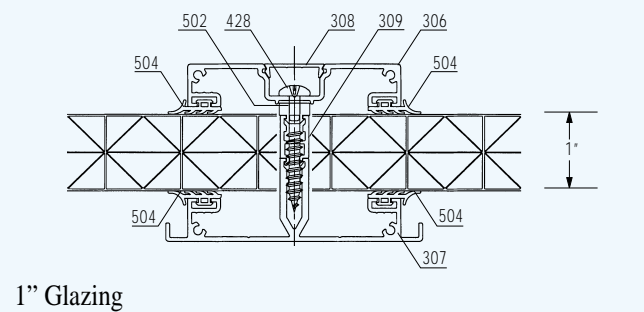
Profile No. 308 is designed to cover the screw attachment area and is easily installed using a rubber mallet. The Edge Profile (No. 311-314) provides a ventilation gap. Drainage holes should be drilled as illustrated.

New: Polygal is now marketing a "Box Profile" for rafter installations.

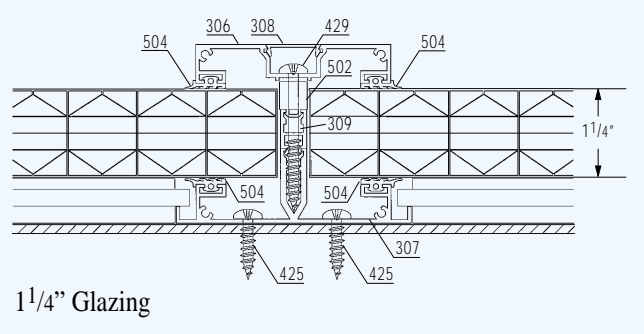
INSTALLATIONS



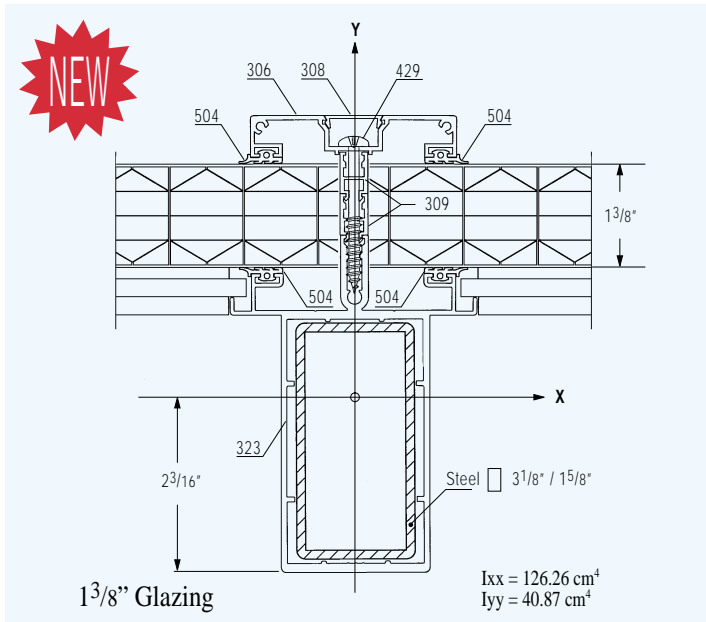
5/16" Glazing



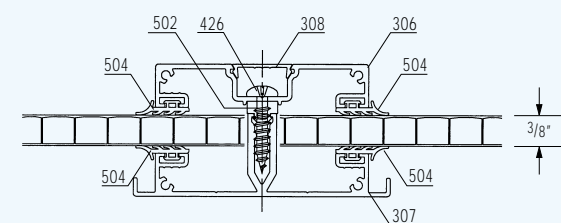
1" Glazing



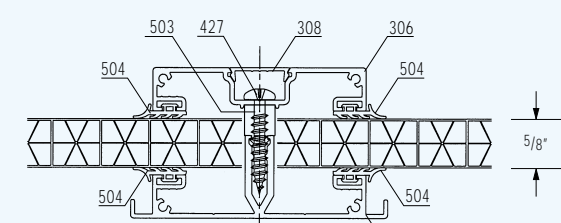
1 1/4" Glazing



1 3/8" Glazing



3/8" Glazing



5/8" Glazing

6-16 System



Polygal's 6-16 Glazing System is specially designed for use in glazing with 1/4"-3/8" Polycarbonate structured sheets, in urban applications such as covered walkways, entrance-ways, parking spaces, bus stations and other, similar applications.

The 6-16 mm Glazing System has a rebate depth of 3/4" which enhances its fastening properties and prevents glazing failures due to wind and snow loads or thermal expansion.

The Base Profile (No. 316) directly supports the Polycarbonate sheets without the use of an internal gasket, thereby reducing costs.

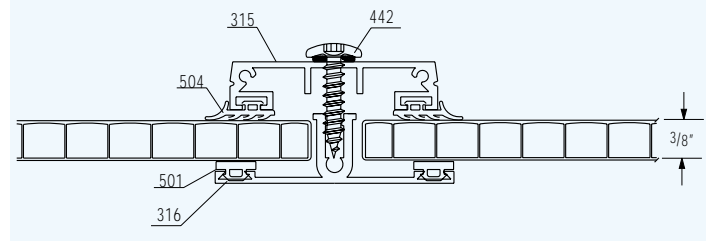
When working with visible screws, attach the screws using the stainless steel decorative washer (No. 414) and original Polygal O-ring (No. 519).

For concealing screws, Profile No. 317 is used to cover the screw attachment area and is easily installed using a rubber hammer.

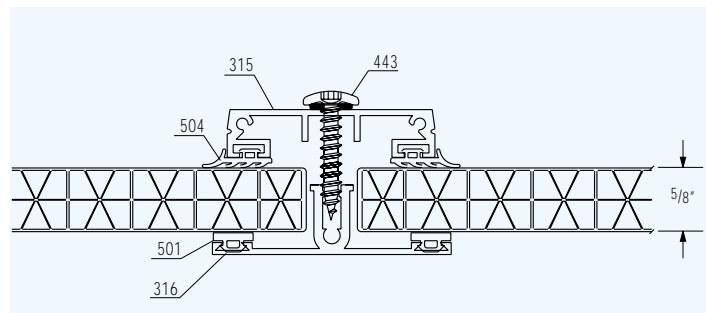
The Edge Profiles (Nos. 311-313, 302) ensure a ventilation gap, and drainage holes should be drilled as illustrated.

New: Polygal is now marketing a "Box Profile" for rafter installations.

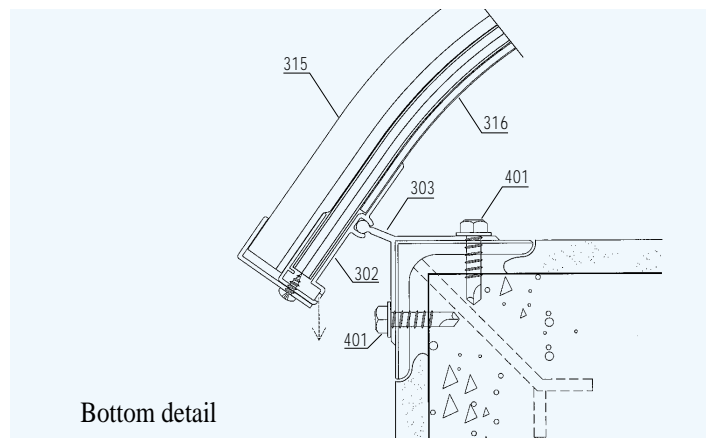
INSTALLATIONS



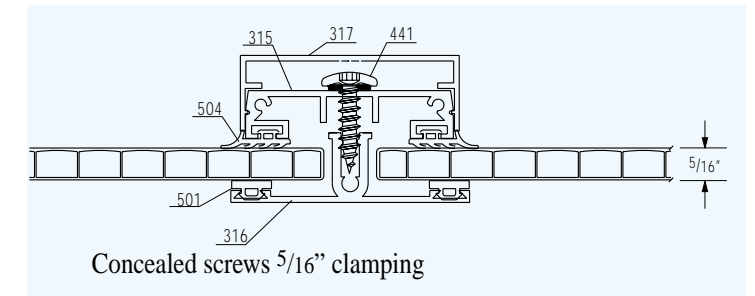
Visible screws 5/8" glazing



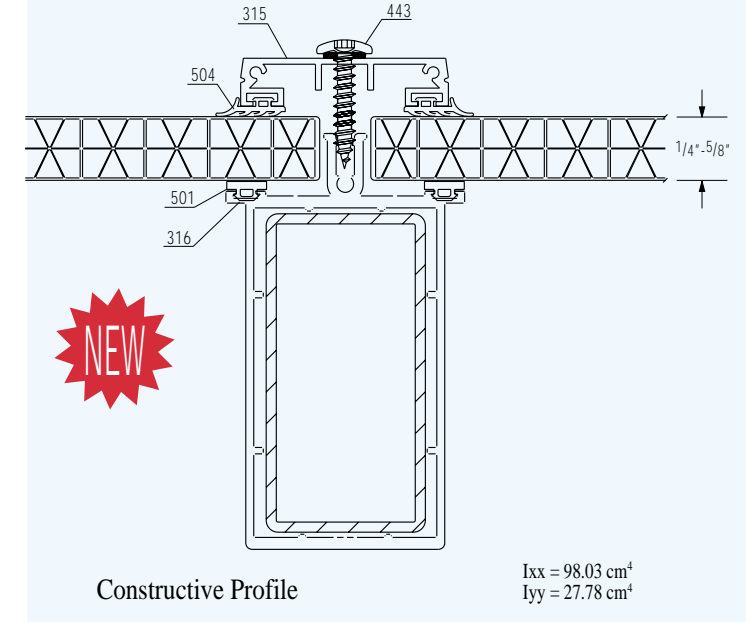
Visible screws 3/8" glazing



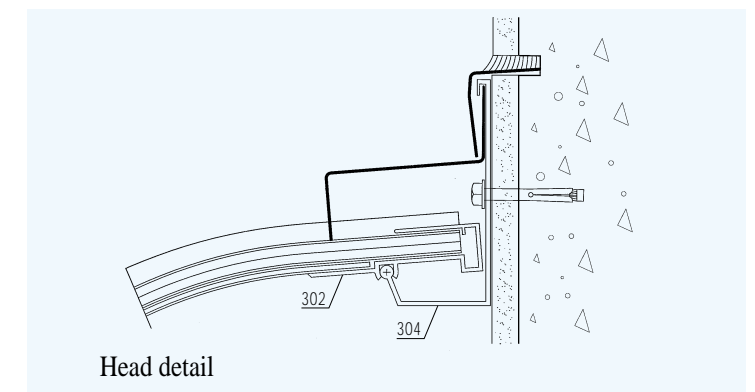
Bottom detail



Concealed screws 5/16" clamping



Constructive Profile



Head detail

Aluminium Profiles Order List

Standard length of Profile - 20". For different lengths please contact your nearest Polygal office. Profile dimensions can be changed by Polygal without prior notice.

POLYGAL Aluminium Profile	No.	Function	Glazing Thickness	Quantity	POLYGAL Aluminium Profile	No.	Function	Glazing Thickness	Quantity
	301	Base Profile	3/8"			314	Edge Profile	1"	
	325	End Profile	5/16"			320	Edge Profile	1 1/4"	
	302	End Profile	3/8"			321	Edge Profile	1 3/8"	
	326	End Profile	5/8"			315	Pressure Profile with 316	1/4"-5/8"	
	303	Angle Bracket	5/16"-5/8"			316	Base Profile With 315	1/4"-5/8"	
	304	Wall Bracket Profile	5/16"-5/8"			317	Cap Profile Cover for 315	1/4"-5/8"	
	324	Base (TCP)	5/8"			318	Side Profile	5/8"	
	306	Pressure Profile	1/4"-1 3/8"			319	Triple Clip Edge Profile	5/8"	
	307	Base Profile	1/4"-1 3/8"			322	Box Profile	1/4"-5/8"	
	308	Cap Profile	1/4"-1 3/8"						
	309	Spacer Profile	1"-1 3/8"						
	310	Purlin Profile	1/4"-1 3/8"						
	311	Edge Profile	5/16"						
	312	Edge Profile	3/8"						
	313	Edge Profile	5/8"			323	Box Profile	1/4"-1 3/8"	